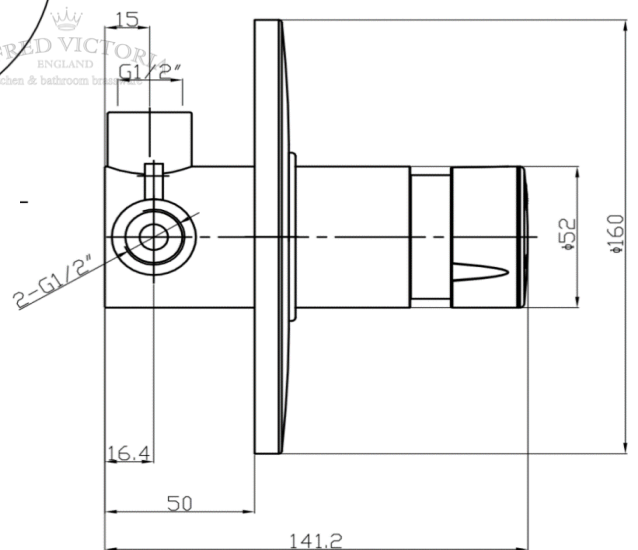
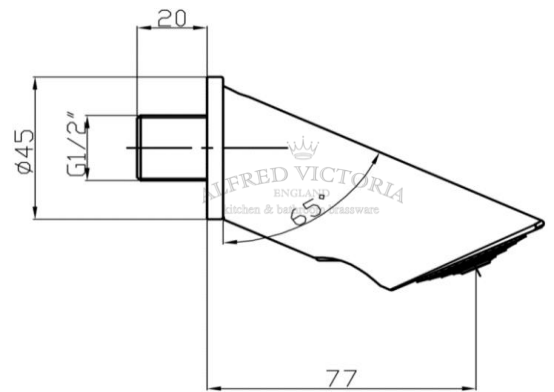
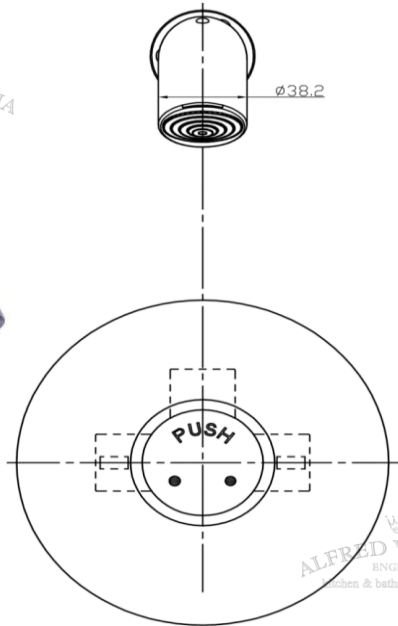


TECHNICAL DATA SHEET

UT42 Concealed non concussive shower mixer

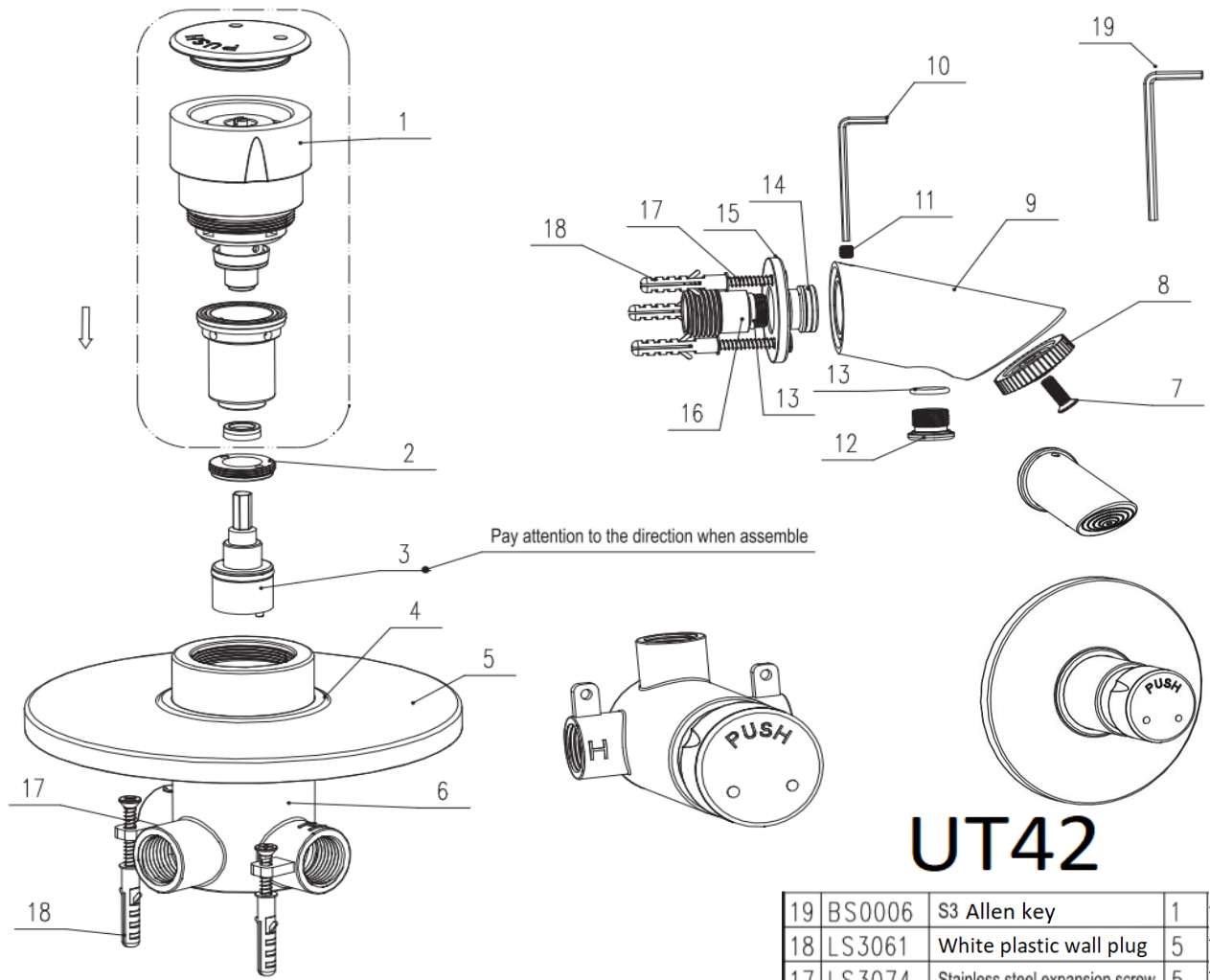
Barcode	0729557185205
Product Code	UT42
Construction	Brass Body (CuZn40Pb18); Zinc-alloy Handle
Finishes	Chrome plated to BS EN 248
Product Type	Contemporary
Water Pressure	Min. 1.0 bar, Max. 6.0 bar
Plumbing Systems	Suitable for all plumbing systems, Hot and Cold water pressure preferably balanced Max. supply pressure differential requirement no greater than 5:1
Standards	Complies with BS5412, BS EN200
Certification	Manufactured to comply with CE
Cartridge	Time adjustable Non concussive mixer valve
Aerator	Aerated
Fitting	Brass 15mm Compression connection with Copper olives
Packaging	34.5 x 21 x 32cm / carton (6 boxes), Dimension: 19.5 x 16.5 x 10cm / box; Weight: 2.46Kg / box
Guarantee	10 years against manufacturing faults (excluding serviceable parts)
Additional Information	Adjustable flow time (Between 10 - 20 Seconds)



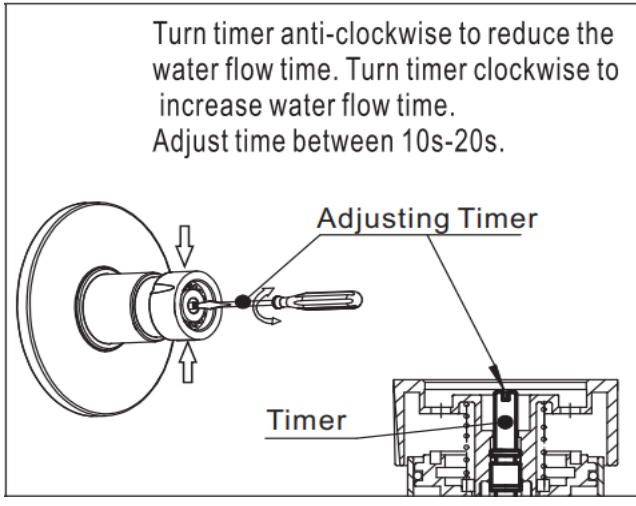
Flow Rates (Litres per minute)

System Pressure	0.1 Bar	0.2 Bar	0.3 Bar	0.5 Bar	1.0 Bar	1.5 Bar	2.0 Bar	3.0 Bar	4.0 Bar	5.0 Bar
UT42	-	2.9	-	3.8	6.7	8.6	10.0	11.7	13.6	14.8

The information contained on this page was correct at date of issue. Fitting dimensions are provided as a guide only. Some variation may occur due to manufacturing tolerances. We pursue a policy of continuing improvement in design and performance of our products and so reserve the right to change specifications without prior notice.



UT42



19	BS0006	S3 Allen key	1
18	LS3061	White plastic wall plug	5
17	LS3074	Stainless steel expansion screw	5
16	JT0267	Long water inlet connector	1
15	FL0232	Water outlet Flange	1
14	000009	O ring	1
13	000046	O ring	2
12	JT0131	Inner hexagonal end cap	1
11	LS3042	M5*5 Flat head fasten screw	1
10	BS0001	S2.5 Allen key	1
9	SZ00491	Shower head	1
8	SZ0031	Plastic spray nozzle	1
7	LS3131	M5*5 Flat head fasten screw	1
6	LT0047	Shower tap body	1
5	WT0071	Decorative cover	1
4	XDP203	Rubber fixing ring	1
3	XZ0016	Diverter cartridge	1
2	YM0078	Press nut	1
1	XZ0053	Time adjustable cartridge (assembled)	1
No.	Code	Component Description	Qty

Alfred Victoria Exploded Drawings			Material:	Assembly	Size:	A4
(Date:D/M/Y)			Scale:	None	Issue No:	01
Drawn by:	Konstantine	28/06/2021				
Checked by:	Lee	28/06/2021				
Approved by:	T. K.	28/06/2021				
Drawing Name:						